

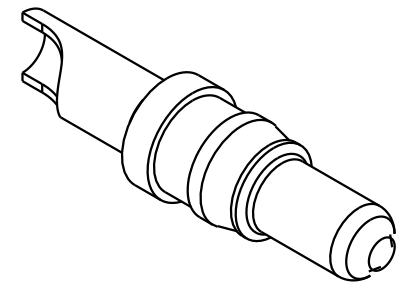
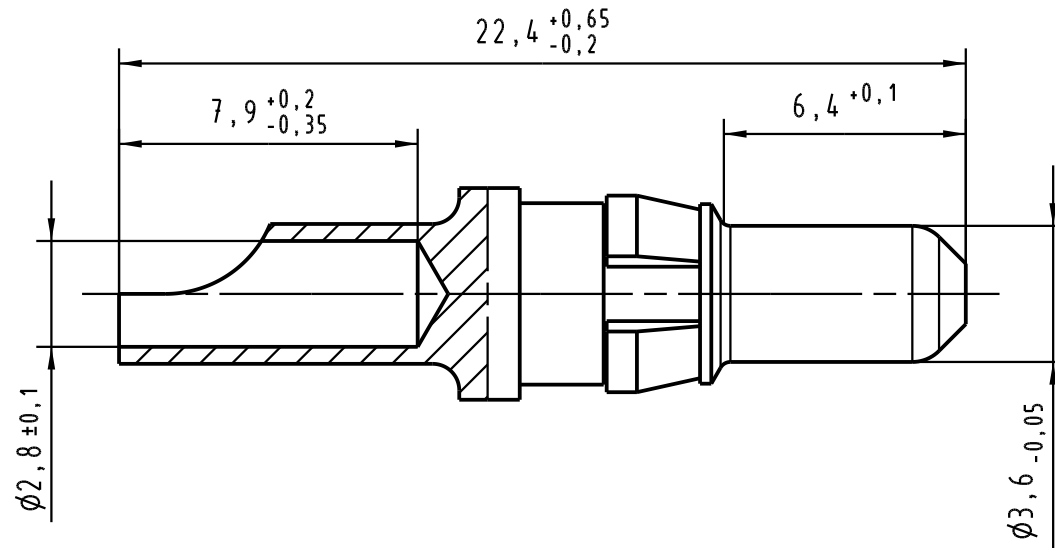


Product details

09 03 000 6102

High current contacts for type M

Description	High current contacts, type M Male contacts Contacts for male connectors Working current 20A max. Standard contacts Straight solder terminations Performance level 2 as per IEC 60603-2
RoHS compliant	Yes



All Dimensions in mm Original Size DIN A 4			Techn. Character. DIN 41626 Teil 1			Nicht tolerierte Maßel Free size tolerances DIN 41626 Teil 1					
				Dat.	Name	Maßstab/Scale 5:1	Hochstromkontaktstift 20A Löt für Messerleiste Typ M male power contact 20A solder for male connector type M				
			Detail.	02.07.02	Rie.						
			Insp.	02.07.02	kfoe						
34044	11.12.06	LehT	Stand.				TB 09 03 000 6102				
32669	18.04.05	Cla	HARTING Electronics GmbH & Co. KG D-32339 ESPELKAMP			Sub. TB 09 03 000 610. Mod. 14667 v. 21.04.93					
30077											
Mod.	Dat.	Name				Blatt/page					